

High Productivity Cooking Variomix Electric Boiling Pan with Stirrer 80lt, 600mm tilting height

ITEM # _____

MODEL # _____

NAME # _____

SIS # _____

AIA # _____


232149 (SM6V80)

 Electric Boiling Pan 80lt with
 stirrer, with 600mm tilting
 height

Short Form Specification

Item No.

AISI 304 stainless steel construction; deep drawn pan with rounded edges manufactured from AISI 316 stainless steel. Pan can be tilted beyond 90° to completely empty the food. Motorised tilting with tilting axis located at the front of the pan to keep the pouring lip high and allow tall vessels to be filled. Food is uniformly heated via the base and the side walls of the pan by an indirect heating system using integrally generated saturated steam at a temperature of 120°C in a jacket with an automatic deaeration system. Safety valve avoids overpressure of the steam in the jacket. Safety thermostat protects against low water level. Max pressure at 1,5 bar. Programmable water filling system. Bottom agitator mixes at speeds from 25 to 100 rpm. Whipping cycle up to 200 rpm. Continuous rotating or 2 rotating directions with the possibility to modify times. Step program facilitates removal of food. High thermal input and fast heat up. Electronic SMART control with possibility to store 50 programs; error message facility; display with: cooking time and temperature, water filling. Heavy duty balanced stainless steel lid, easy to remove and turn to facilitate cleaning. The insulation allows a lower temperature on the outer panels. The foamed thermal insulation guarantees a cool upper edge of the cooking vessel surface. IPX5 water protection. For freestanding installation one left column is necessary for each unit. 600mm tilting height.

Main Features

- 600 mm tilting height minimum.
- Food is uniformly heated through the base and side walls of the pan by an indirect heating system which uses integrally generated saturated steam at a temperature of 120°C in a jacket with an automatic deaeration system.
- Fast working thanks to the high efficient heating technology and well insulation that keeps the heat inside the well.
- Electronic control with possibility to store up to 50 programs, large display for easy use and a complete control over the following functions: start, cooking time, temperature, water filling and mixing speed.
- Curved pan base guarantees that the appliance is also suitable to prepare small quantities of food.
- Constructed to meet the highest hygiene standards.
- Compliant to CE requirements for safety.
- Safe thanks to the higher water protection IPX5 and the lower temperature outside the panels.
- Isolated upper well rim avoids risk of harm for the user.
- High thermal input and fast heat up.
- Safety thermostat protects against low water level.
- Safety valve avoids overpressure of the steam in the jacket.
- ACCESSORIES:
 - Whipping tool - quickly whips foods such as cream, egg whites, etc
 - Bottom agitator - blends foods such as meat stews, casseroles, etc
 - Cleaning tool - may be fitted on the rotating shaft to facilitate cleaning of the cooking surface and safety grid After use, it may be placed directly in the dishwasher and the brushes may be replaced.
- OPTIONS (to be ordered with the machine and must be installed in the factory):
 - Automatic water filling - makes it possible to preset the desired quantity of water
 - Automatic cooling - allows cooling down of the food connecting the jacket to the tap network
 - Food sensor - placed on the bottom of the vessel, it provides efficient temperature control even with small amounts of food. Can be connected to HACCP integrated system
 - Spray gun - integrated spray unit

APPROVAL: _____

Construction

- Ergonomic and user friendly thanks to the high tilting position and the pouring lip design which allow to easily fill containers.
- Heavy duty, balanced stainless steel lid with sliding plastic cover to insert ingredients. Easy to remove and turn to facilitate cleaning.
- Tilting axis located at the front and upper position of the pan to keep the pouring path short when filling different types of vessels.
- Vessel can be tilted beyond 90° to completely empty the food.
- Motorised tilting.
- Max pressure 1,5 bar.
- AISI 304 stainless steel construction with AISI 316 stainless steel deep drawn pan with rounded edges.
- Variable speed agitator moves at up to 200 rpm.

Sustainability

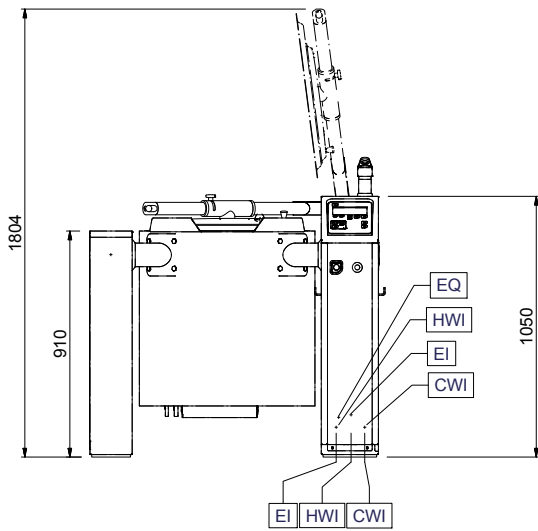
- High-quality thermal insulation of the pan saves energy and keeps operating ambient temperature low.



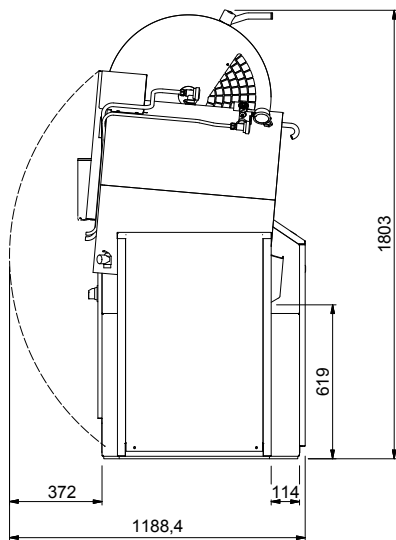
Optional Accessories

- | | | |
|---|------------|--------------------------|
| • Strainer 80l and 100l | PNC 928025 | <input type="checkbox"/> |
| • Kit for a correct and easy positioning and installation of 50-100 lt pan (for a correct installation you need 2 for each pan) | PNC 928029 | <input type="checkbox"/> |
| • Floor fastening kit for left leg/column (fastening is integrated in the floor) | PNC 928031 | <input type="checkbox"/> |
| • Floor fastening kit for 50-100 lt right leg/column (fastening is integrated in the floor) | PNC 928032 | <input type="checkbox"/> |
| • Floor fastening kit for left leg/column (fastening on the floor surface) | PNC 928034 | <input type="checkbox"/> |
| • Floor fastening kit for 50-100l right leg/column and left leg/column including ice cooling option (fastening on the floor surface) | PNC 928035 | <input type="checkbox"/> |
| • Trolley to store tools for 5 boiling pans | PNC 928043 | <input type="checkbox"/> |
| • Trolley to store tools for 2 boiling pans | PNC 928044 | <input type="checkbox"/> |
| • Distance ring for connection (to previous version of pan) | PNC 928049 | <input type="checkbox"/> |
| • Short brush for connection to boiling pan spray unit | PNC 928082 | <input type="checkbox"/> |
| • Long brush for connection to boiling pan spray unit | PNC 928083 | <input type="checkbox"/> |
| • Left column including with bearing and cover for boiling pans, with 600mm tilting height | PNC 928150 | <input type="checkbox"/> |
| • Right column cover plate for 50-100lt boiling pans with 400mm tilting height (to be used when matched with boiling pans of 600 mm tilting height) | PNC 928151 | <input type="checkbox"/> |
| • Left column including ice cooling option for electric Boiling Pan with stirrer 80l, 600mm tilting height | PNC 928164 | <input type="checkbox"/> |
| • Cleaning tool Variomix 80lt | PNC 928165 | <input type="checkbox"/> |
| • Set of scrapers for gate agitator - EBV80 | PNC 928166 | <input type="checkbox"/> |

Front

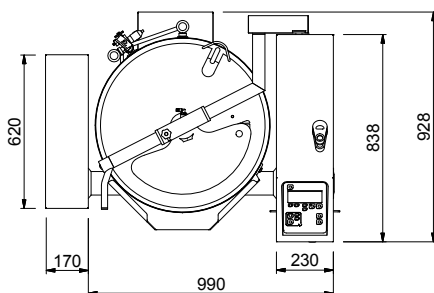


Side



CWI1 = Cold Water inlet 1 (cleaning)
 EI = Electrical inlet (power)
 HWI = Hot water inlet

Top



Electric

Supply voltage:

232149 (SM6V80) 400 V/3N ph/50-60 Hz

Electrical power max.:

23.3 kW

Installation:

Distance back floor tilted: 620 mm

Key Information:

Working Temperature MIN: 30 °C

Working Temperature MAX: 121 °C

Vessel (round) diameter: 580 mm

Vessel (round) depth: 464 mm

External dimensions, Width: 1160 mm

External dimensions, Depth: 925 mm

External dimensions, Height: 1050 mm

Net vessel useful capacity: 80 lt

Tilting mechanism: Automatic

Bearing: Front